



Direct-Acting 2-Position Solenoid Valves



MME-2SDS-D024



MME-3PDS-D110

Maximatic® Direct-Acting Valves are single solenoid spring return poppet type valves available as either two-way or three-way configurations in ports sizes 1/8" NPT and 1/4" NPT. Hardware to stack multiple valves included with each valve.

Voltage: 12-volt DC ("-012"), 24-volt DC ("-024"), 24-volt AC ("-24A"), 110-volt AC ("-110"), or 220-volt AC ("-220")

Power Consumption: 6.5 Watt

Number of Ports: 2 or 3

Mounting: Body Ported or Stacking

Medium: Air (40 micron filtration), Inert Gas or Liquid

Operating Range: Vacuum to 150 psig

Flow: 2.3 scfm @ 100 psig

Electrical Connection: DIN connector with LED indicator ("-D"), or 18" Wire Lead ("-W")

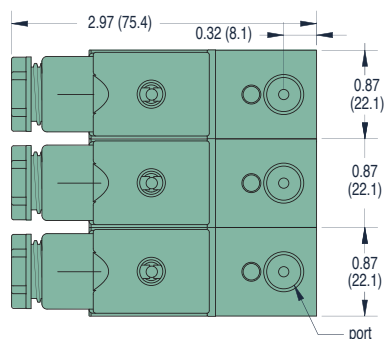
Replacement Stacking Kit

Replacement Stacking Kits are available which include two long screws, two short screws, one gasket and two nuts.

Part No.

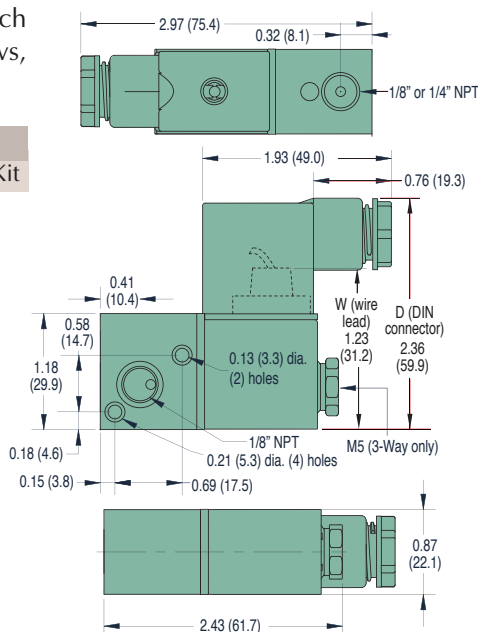
27048

Replacement Stacking Kit

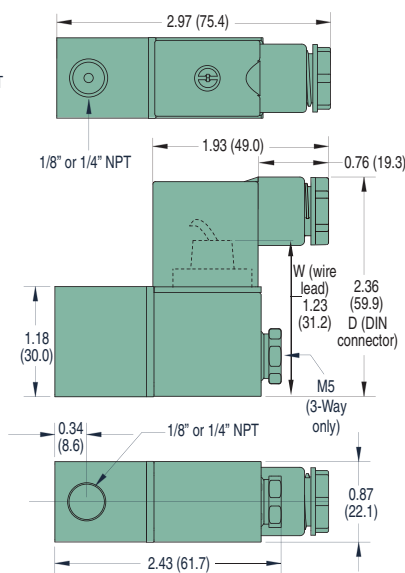


3-Station Configuration

2-Way & 3-Way Valves (Stacking)



2-Way & 3-Way Valves (non-Stacking)



Two-Way Valves	Three-Way Valves	Inlet	Outlet	Exhaust	Cv/scfm*
MME-2PDS-	MME-3PDS-	1/8" NPT	1/8" NPT	M5	0.12/6.7
MME-2SDS-**	MME-3SDS-**	1/8" NPT	1/8" NPT	M5	0.05/2.3
MME-2QDS-	MME-3QDS-	1/4" NPT	1/4" NPT	M5	0.12/6.7

** Stacking Valve

* scfm based on flow @ 100 psig

Add Electrical Connection and Voltage Choices to the end of each Base Part Number - Example: **MME-2QDS-W220**